

AT1-5

77x35x77 mm



Universal Low Cost Refrigerating/Heating Controller

Main Features

- Universal panel thermostat
- Selectable Refrigerating or Heating control
- Runs on mains power supply
- Direct compressor control through high power 16(4)A or 16(8)A relay
- Selectable NTC10K or PTC probe input
- Integrated defrost functions
- Auxiliary output configurable in four different operation modes
- Absolute or relative temperature alarms
- Door open alarm
- Automatic condenser maintenance warning
- On/Off button
- Optional light control button
- Quick programming through ZOT-AT1 key
- Connection to LAE supervisory systems

Applications

Freestanding upright cabinets and counters, cold stores, plug-in display cases, control panels, heated cabinets.

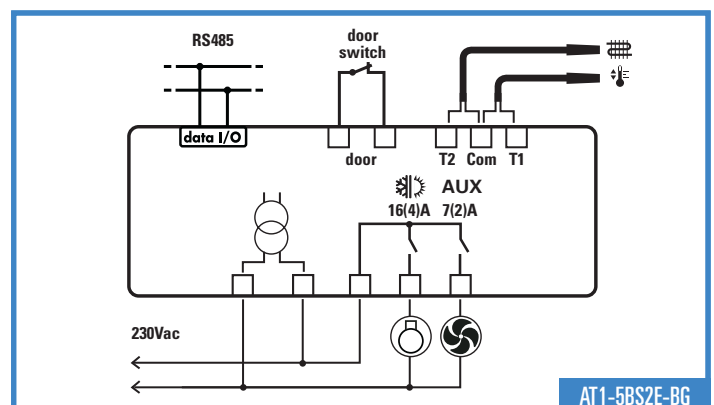
Technical Data

Control range:	-50÷120°C
Resolution:	0.1 / 1 °C; °F
Accuracy:	NTC10K: $\lt; \pm 0.3^{\circ}\text{C}$ (-40.0÷70.0°C) PTC1000: $\lt; \pm 0.5^{\circ}\text{C}$ (-50÷120°C)
Sensor type:	selectable NTC10K standard mod. SN4K20P1/P2 or PTC1000 standard mod. ST1K20P1/P2
Power supply:	230V~ ±10% 50÷60Hz 3W
Front protection:	IP55
Panel cut-out:	71x29 mm
Ambient temperature:	-10÷50°C

Series AT1-5

Functions		AS2E-G	BS2E-BG	BS6E-AL
Inputs	thermostat	✓	✓	✓
	evaporator		✓	✓
	door switch		✓	✓
Outputs	thermostat 16(4)A	✓	✓	
	thermostat 16(8)A			✓
	auxiliary 7(2)A	✓	✓	✓
Power supply	230Vac	✓	✓	✓
Serial port	TTL			✓
	RS485		✓	
Keypad	generic	✓	✓	
	with light button			✓

- Models with removable screw terminal blocks are available. In this case, the letter "S" of code changes in "Q", ex. AT1-5BQ2E-BG.
- All models come with an alarm buzzer.
- Versions with 110V power supply are available.
- On request, the AT1-5 is also available with gasket for a better protection between bezel and metal panel.
- In order to know more options available for the models, please consult LAE or our local dealer.



AT1-5BS2E-BG